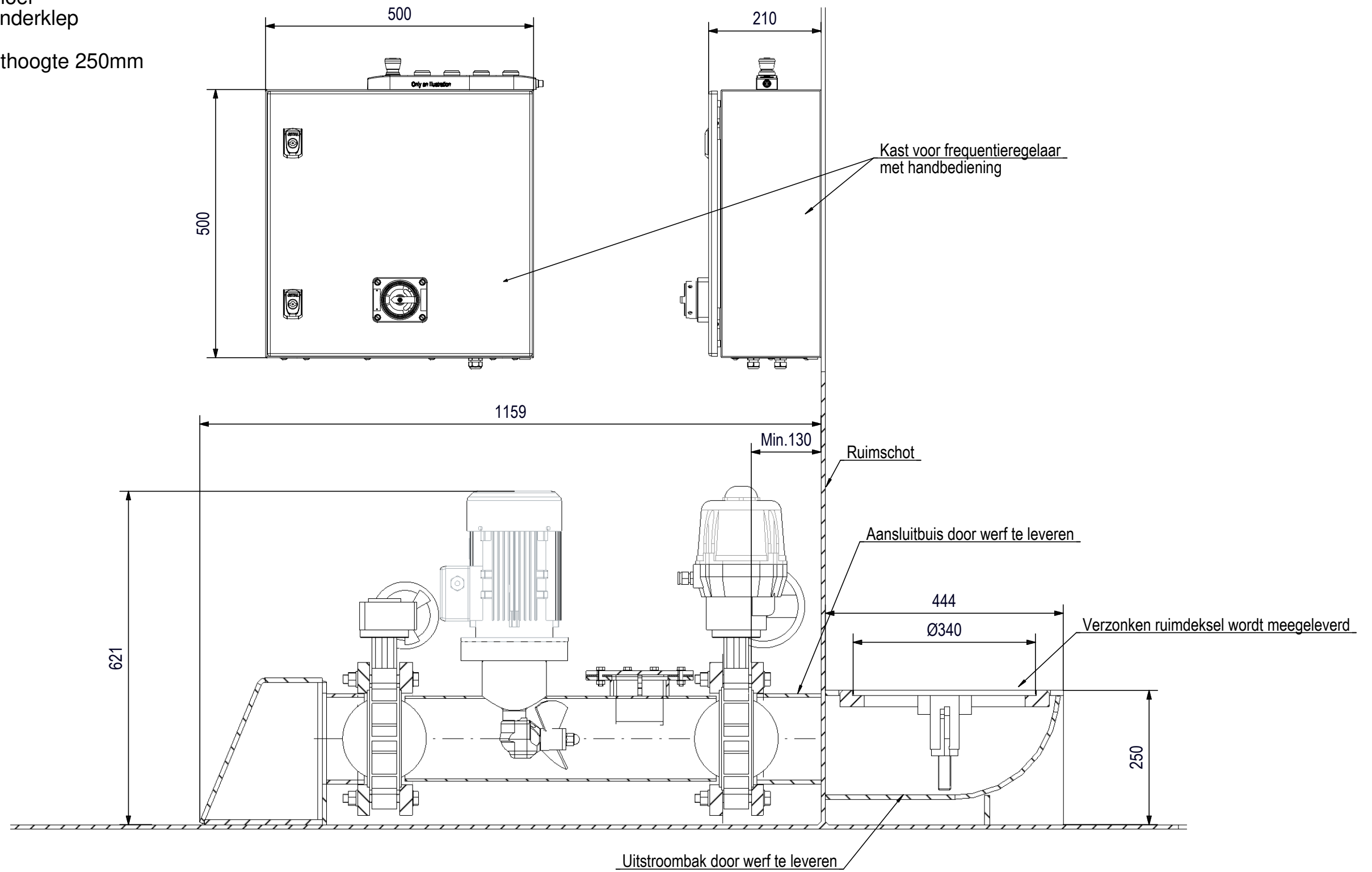

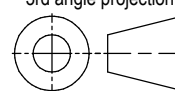


BALLASTPOMP TYPE PTD H150-2-6

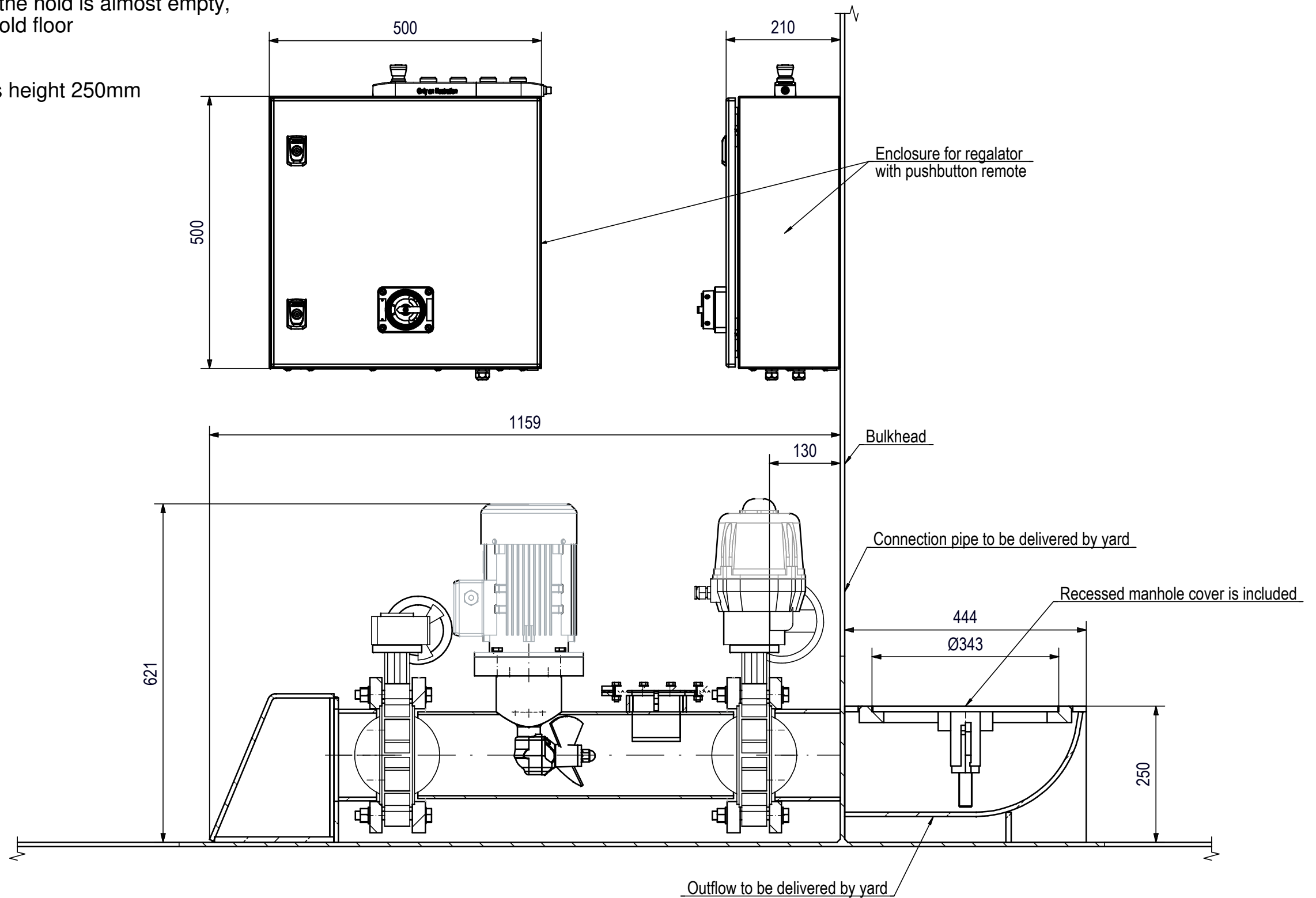
- Capaciteit 200 m³ / uur
- Standaard afstandbediening te gebruiken in het ruim
- Optioneel bediening vanuit de stuurhut
- Hoge aanzuigcapaciteit, ook als het ruim bijna leeg is, door lage inbouw onder ruimvloer
- Handbediend of elektrische vlinderklep
- Vuilrooster in het vlak
- Inbouwhoogte pijp onder spanthoogte 250mm


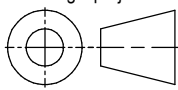


 DIESEL MARINE SERVICES DE GROOT	Grevelingenweg 23 3313 LB Dordrecht The Netherlands	Email: info@degrootmarine.com Phone: +31-3039700 Website: www.degrootmarine.com	Execution class: N/A	Dimensions tolerances: According ISO 2768-1
	3rd angle projection 	Overall scale: 1:8 Dimension unit: mm Layout format: A3	Signed by: J.Ippel 23-11-24 Approved by: Approved by:	Rev. A By: Jlp Date: 23-11-24 Revision comment: First issues
General notes:				Drawing status: Only for information Project: Drawingnr.: 35745301 Vesel: Drawingsht.: 1 of 3

BALLASTPOMP TYPE PTD H150-2-6

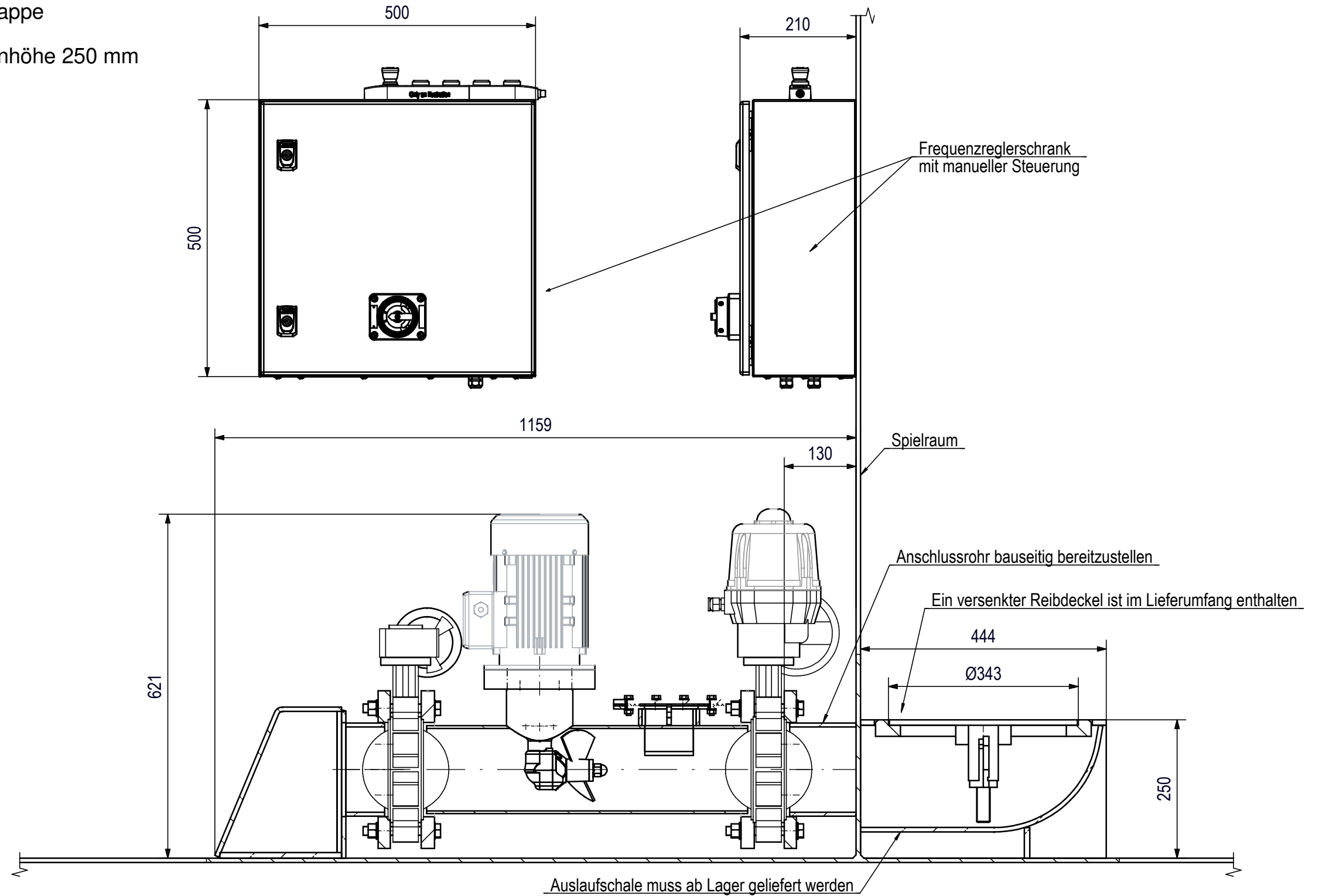
- Capacity 200 m³ / hour
- Standard remote control to be used in the hold
- Optional control from the wheelhouse
- High suction capacity, even when the hold is almost empty, due to low installation under the hold floor
- Manual or electric butterfly valve
- Dirt grille in the bottom suctionbox
- Pipe installation height under truss height 250mm


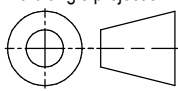


 DIESEL MARINE SERVICES DE GROOT	Grevelingenweg 23 3313 LB Dordrecht The Netherlands	Email: info@degrootmarine.com Phone: +31-3039700 Website: www.degrootmarine.com	Execution class: N/A	Dimensions tolerances: According ISO 2768-1
	3rd angle projection 	Overall scale: 1:8 Dimension unit: mm Layout format: A3	Signed by: J.Ippel 23-11-'24 Approved by: Approved by:	Rev. A By: Jlp Date: 23-11-'24 Revision comment: First issues
General notes:				Drawing status: Only for information Project: Drawingnr.: 35745301 Vesel: Drawingsht.: 2 of 4

BALLASTPOMP TYPE PTD H150-2-6

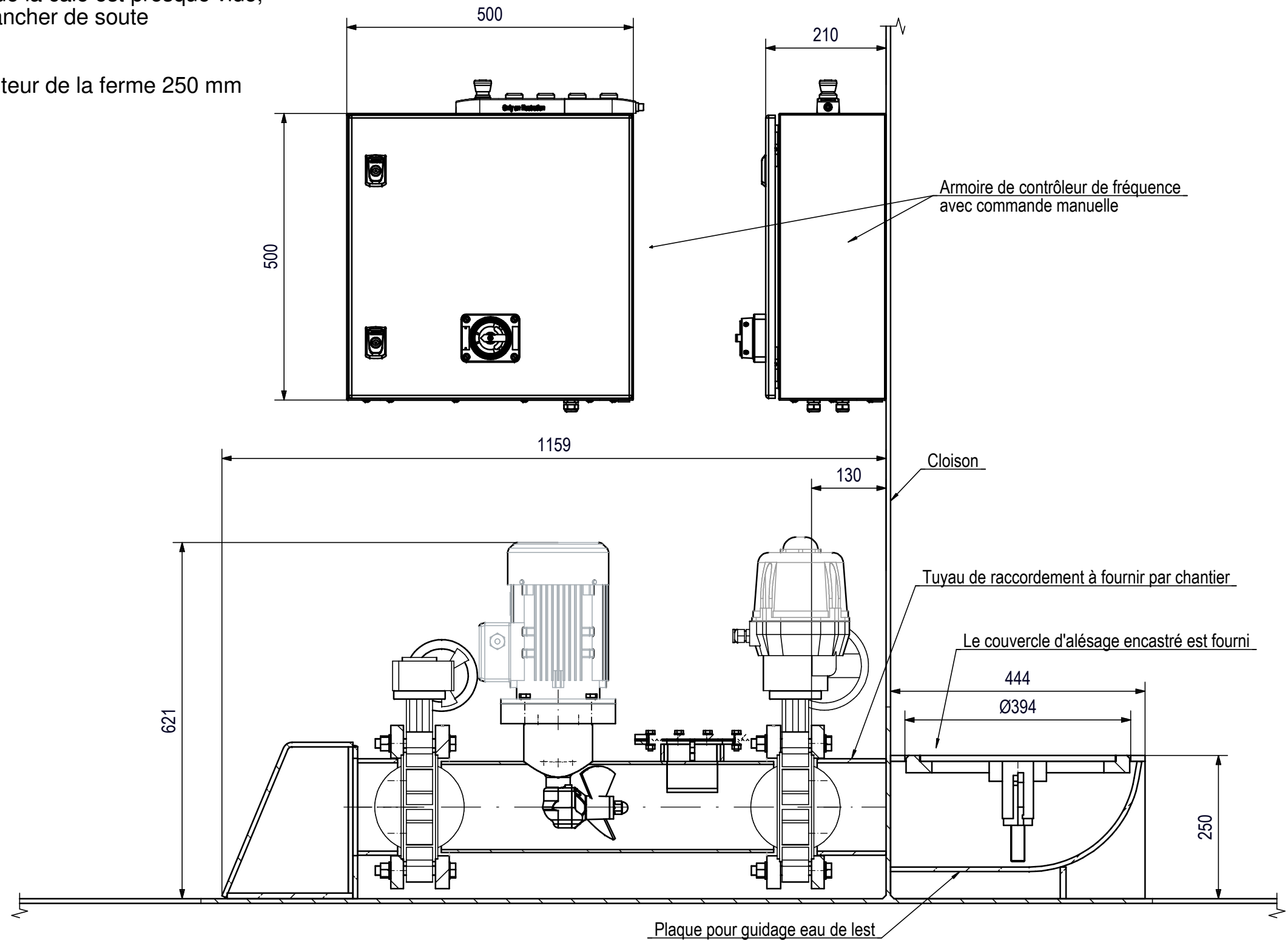
- Kapazität 200 m³ / Stunde
- Standardfernbedienung zur Verwendung im Laderaum
- Optionale Bedienung vom Steuerhaus aus
- Hohe Saugleistung, auch bei fast leerem Laderaum, durch niedrigen Einbau unter dem Laderaumboden
- Manuelle oder elektrische Absperrklappe
- Schmutzgitter in der Oberfläche
- Rohreinbauhöhe unter der Traversenhöhe 250 mm



 DIESEL MARINE SERVICES DE GROOT	Grevelingenweg 23 3313 LB Dordrecht The Netherlands	Email: info@degrootmarine.com Phone: +31-3039700 Website: www.degrootmarine.com	Execution class: N/A	Dimensions tolerances: According ISO 2768-1
	3rd angle projection 	Overall scale: 1:8 Dimension unit: mm Layout format: A3	Signed by: J.Ippel 23-11-24 Approved by: Approved by:	Rev. A By: Jlp Date: 23-11-24 Revision comment: First issues
General notes:				Drawing status: Only for information Project: Drawingnr.: 35745301 Vesel: Drawingsht.: 3 of 4

BALLASTPOMP TYPE PTD H150-2-6

- Capacité 200 m³ / heure
- Télécommande standard à utiliser en soute
- Commande optionnelle depuis la timonerie
- Grande capacité d'aspiration, même lorsque la cale est presque vide, en raison de l'installation faible sous le plancher de soute
- Vanne papillon manuelle ou électrique
- Grille anti-poussière en surface
- Hauteur d'installation du tuyau sous la hauteur de la ferme 250 mm



	Grevelingenweg 23 3313 LB Dordrecht The Netherlands	Email: info@degrootmarine.com Phone: +31-3039700 Website: www.degrootmarine.com	Execution class: N/A	Dimensions tolerances: According ISO 2768-1
	3rd angle projection 	Overall scale: 1:8 Dimension unit: mm Layout format: A3	Signed by: J.Ippel 23-11-24 Approved by: Approved by:	Rev. A By: Jlp Date: 23-11-24 Revision comment: First issues
General notes:				Drawing status: Only for information Project: Drawingnr.: 35745301 Vesel: Drawingsht.: 4 of 4